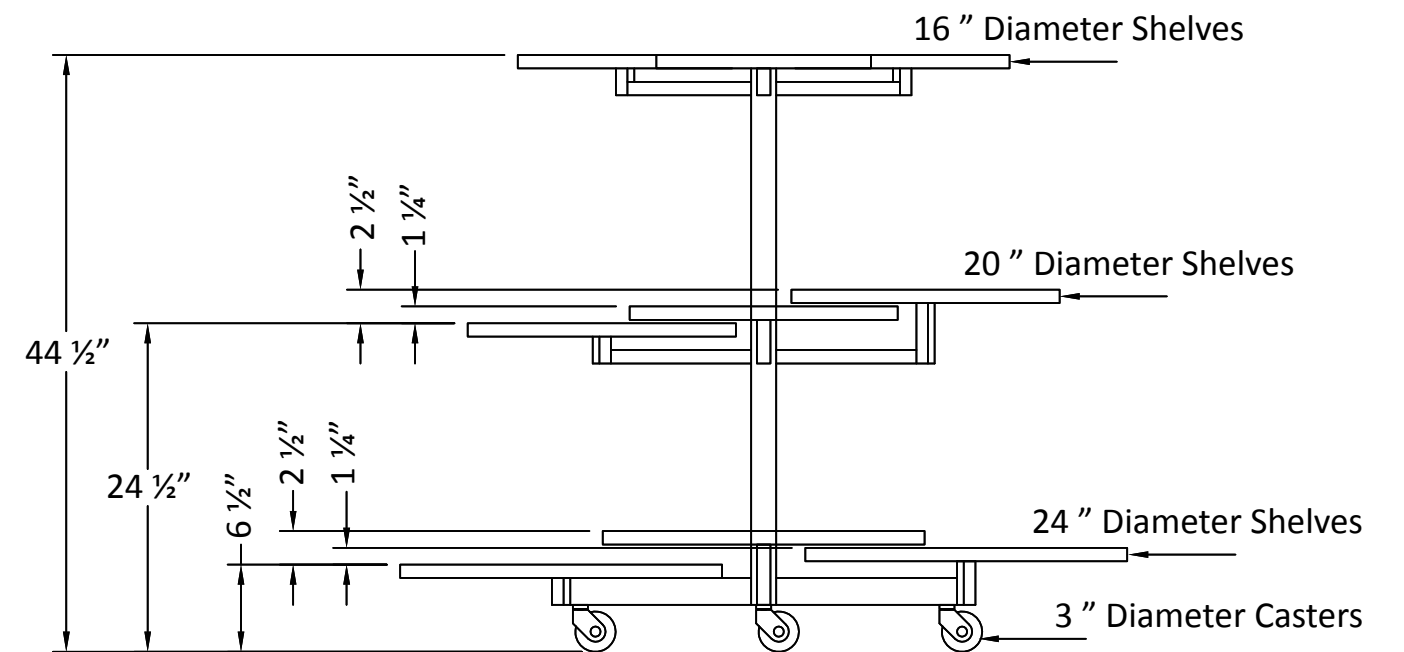
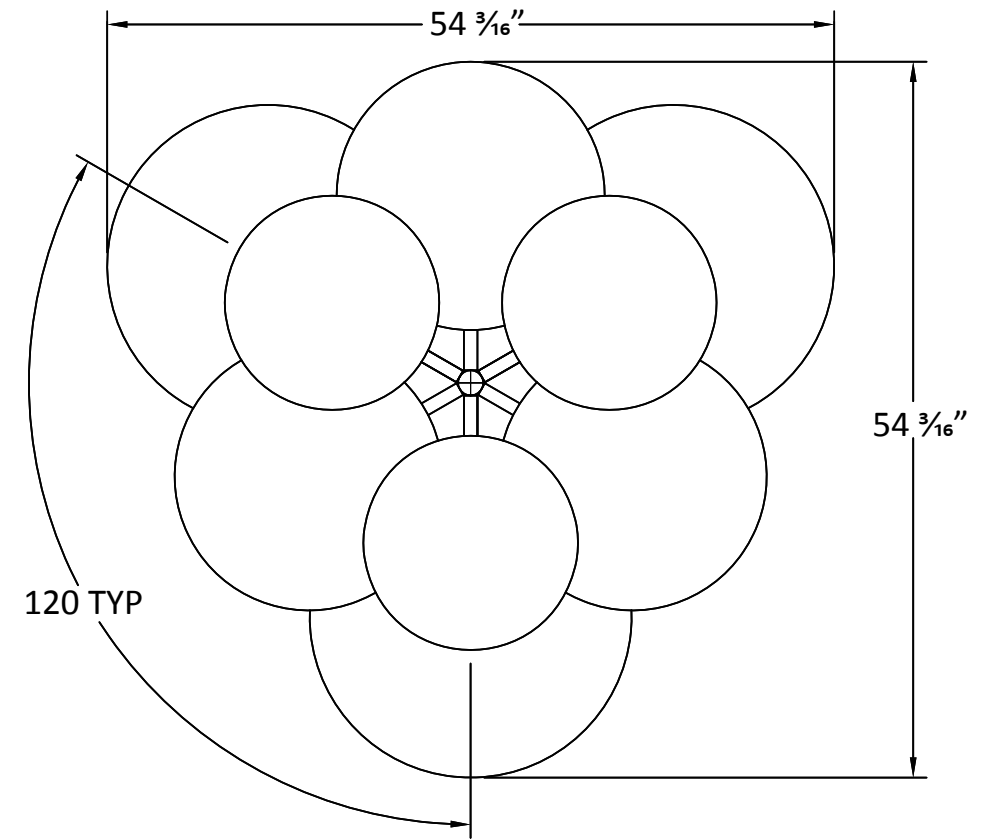


**Floraline
FL 9 Shelf Display**

A Roll Around, 9 shelf display.

Features:

- Round Tiered Shelving.
- Water and drip resistant platforms.
- Boston Bumper™ edge protection for long lasting great looks.
- Heavy duty, easy rolling casters, move it where you need it.
- Your choice of laminate and trim packages to match any color palette.



Floraline Display Products Corporation - www.floraline.com
38160 Western Parkway Willoughby, Ohio 44904 Phone: (440) 975-9449 or 800-239-3722 Fax: (440) 918-9043

Disclaimer Notice: Product specifications, drawings, materials, construction methods, pricing and availability subject to change without notice.

Floraline Display Products Corporation - www.floraline.com
38160 Western Parkway Willoughby, Ohio 44904 Phone: (440) 975-9449 or 800-239-3722 Fax: (440) 918-9043

Disclaimer Notice: Product specifications, drawings, materials, construction methods, pricing and availability subject to change without notice.